

2-/ 4-PORT SHUT-OFF VALVE

EN

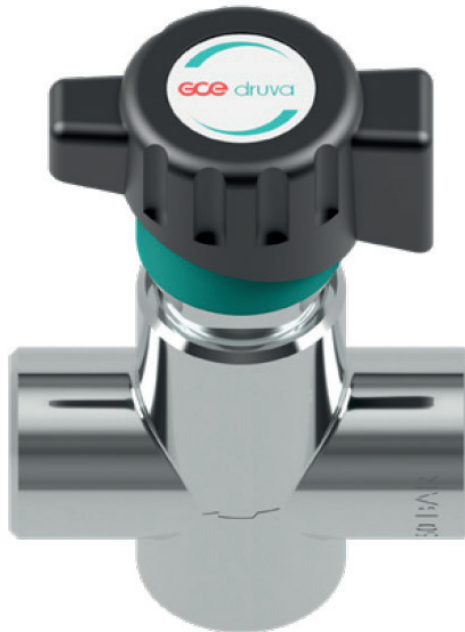
2-/ 4-PORT ABSPERRVENTIL

DE

V – VALVE | P-PUR | L – LOW FLOW | DS – DIAPHRAGM SHUT-OFF |
M – MANUAL ACTUATION

V – VALVE | S-SST | L – LOW FLOW | DS – DIAPHRAGM SHUT-OFF |
M – MANUAL ACTUATION

INSTRUCTION FOR USE
GEBRAUCHSANLEITUNG



IMPORTANT!

Read carefully before use! Keep the manual for future consultation!

WICHTIG!

Vor Gebrauch sorgfältig lesen!

Bewahren Sie die Gebrauchsanweisung für späteres Nachschlagen auf!

ECE druva[®]

CONTENT

EN

1. General.....	4
1.1. information about this instructions manual	4
1.2. Information about this shut-off valve	4
1.3. explanation of symbols.....	4
1.4. Limitations of liability.....	5
1.5. Copyright	5
1.6. Spare parts	5
1.7. Warranty provision.....	6
1.8. Customer service.....	6
2. Safety	6
2.1. Intended use	6
2.1.1. Structural changes at the shut-off valve	6
2.2. Fundamental risks	6
2.3. Operator's responsibility.....	7
2.4. Personnel requirements.....	8
2.4.1. Qualifications	8
2.4.2. Unauthorized personnel.....	8
2.4.3. Training	9
2.5. Personal protective equipment.....	9
2.6. Behavior in case of fire or accident.....	10
2.7. Environmental protection	10
2.8. Signage	10
2.8.1. Signs that give orders	10
2.8.2. Signs indicating bans	10
2.8.3. Warning signs.....	10
3. Technical specifications.....	11
3.1. Dimension – VPLDSMIR / VSLDSMIR	11
3.2. Dimension – VPLDSMFR / VSLDSMFR	11
3.3. Dimension – VPLDSMAR / VSLDSMAR	11
3.3.1. Dimension – VPLDSMAREX / VSLDSMAREX	11
3.3.2. Dimension - VPLDSMARGX/ VSLDSMARGX.....	12
3.4. General information.....	12
3.5. Connection values	12
3.6. Performance value	12
3.7. Operating Conditions	12
4. Set-up and function	13
4.1. Overview – VPLDSMIR, VPLDSMFR, VSLDSMIR, VSLDSMFR	13
4.2. Overview – VPLDSMAR, VSLDSMAR.....	13
4.3. Brief description	13
5. Transport, packaging and storage	14
5.1. Safety information for transportation.....	14
5.2. Transport inspection	14
5.3. Packaging	14
5.4. Storage	14

- 6. Installation and initial start-up15
 - 6.1. Safety notes for installation and initial start-up15
 - 6.2. Preparation15
 - 6.3. Installation.....15
 - 6.4. Required qualifications for initial start-up and cylinder changing.....15
 - 6.5. Initial Start Up.....15
 - 6.5.1. Fill the process gas tubing with process gas15
 - 6.5.2. Taking gas supply out of operation15
 - 6.6. Tests15
- 7. Operation16
- 8. Maintenance.....16
 - 8.1. Safety notes for maintenance.....16
 - 8.2. Maintenance plan16
 - 8.3. Maintenance work16
 - 8.3.1. Cleaning.....16
 - 8.3.2. Requirements for maintenance16
 - 8.3.3. Necessary maintenance16
 - 8.4. Measures following maintenance.....17
- 9. Troubleshooting.....17
 - 9.1. Safety notes for troubleshooting17
- 10. Dismantling and disposal.....19
 - 10.1. Safety notes for dismantling and disposal.....19
 - 10.2. Dismantling20
 - 10.3. Disposal20

1. GENERAL

EN

1.1. INFORMATION ABOUT THIS INSTRUCTIONS MANUAL

This instruction is only intended for use with shut-off valve product type:

- VPLDSMAR – 2-Port Shut-off valve, 1x Inlet, 1x Outlet, brass chrome plated
- VPLDSMFR – 4-Port Shut-off valve, 1x Inlet, 3x Outlet, brass chrome plated
- VPLDSMIR – 4 Port Shut-off valve, 3x Inlet, 1x Outlet, brass chrome plated
- VSLDSMAR – 2-Port Shut-off valve, 1x Inlet, 1x Outlet, stainless steel
- VSLDSMFR – 4-Port Shut-off valve, 1x Inlet, 3x Outlet, stainless steel
- VSLDSMIR – 4 Port Shut-off valve, 3x Inlet, 1x Outlet, stainless steel

This type of valve is suitable to interrupt the gas flow. They were assembled into piping permanently.

These instructions enable you to operate the system safely and efficiently. These instructions form an integral part of the system and must always be kept with the system and within easy reach of staff at all times.

Prior to commencing any work, the staff must read these instructions carefully and understand the contents. Observance of all the safety information and instructions for operation that are contained in these instructions is essential to ensure work safety.

Local accident prevention regulations and general safety regulations governing the use of the system must also be observed.

Illustrations in these instructions serve to ensure a basic understanding of the system and may differ from the actual version.

1.2. INFORMATION ABOUT THIS SHUT-OFF VALVE

Shut-off valves of this type are only suitable for gases defined as standard gas. The maximum working pressure for valve is 300 bar.

Standard gases for brass chrome plated valves are industrial, inert, flammable and oxidizing gases and/ or their mixtures. **Not** allowed are the components for corrosive and/ or toxic gases and/ or their mixtures.

For stainless steel valve standard gases are also corrosive and/ or toxic gases and/ or their mixtures.

It is a shut-off valve with metal diaphragm in 2-port or 4-port version.

Created and approved as ISO 10297 including oxygen test for main shut-off valves.

The shut-off valve consists of valve body and handwheel. At the handwheel you can see if valve is open (green sign) or closed (red sign).

Different inlet and outlet implementations (compression fittings) are available.

1.3. EXPLANATION OF SYMBOLS

SAFETY INFORMATION

Safety information is highlighted by symbols in these instructions. This safety information is preceded by signal words that define the extent of risk.



DANGER!

This combination of symbol and signal word indicates an immediately dangerous situation that will cause death or severe injury if not avoided.






WARNING!

This combination of symbol and signal word indicates a possibly dangerous situation that can cause death or severe injury if not avoided.



BEWARE!

This combination of symbol and signal word indicates a possibly dangerous situation that can cause minor injury if not avoided.

	<p>NOTE!</p> <p>This combination of symbol and signal word indicates a possibly dangerous situation that can cause property and environmental damage if not avoided.</p>
	<p>TIPS AND RECOMMENDATIONS</p> <p>This symbol highlights useful tips and recommendations, together with help for ensuring efficient and trouble-free operation.</p>
<p>SPECIAL SAFETY INFORMATION</p>	<p>The following symbols are used in the safety information to draw your attention to particular risks.</p>
	<p>DANGER!</p> <p>This combination of symbol and signal word indicates an immediately dangerous situation involving electrical current. Ignoring such a warning could result in severe or fatal injuries.</p>

1.4. LIMITATIONS OF LIABILITY

All of the information and notes in these instructions have been compiled in accordance with applicable standards and regulations. They reflect best engineering practice and our years of experience.

The manufacturer accepts no liability for damages in the following instances:

- Failure to observe these instructions
- Utilization of the system for any other than the intended purpose
- Operation by untrained staff
- Unauthorized modifications
- Technical modifications
- Use of unlicensed spare parts
- Working with the gas supply panel when any safety device is broken or not functional mounted or safety devices don't work correctly
- Improper control of components, connections and gaskets, which are wearing parts.
- Incorrect reparations
- Violation of temperature limits, which are dedicated in the datasheet during operation or storage
- In case of disaster or force majeure

The actual scope of supply may differ from the explanations and illustrations in these instructions following the incorporation of new technical changes.

The obligations stipulated in the supply agreement, our general terms and conditions of business, the manufacturer's terms and conditions of supply and the statutory regulations in force at the time of contract conclusion apply.

1.5. COPYRIGHT

The contents of these instructions are protected by copyright. They may be used in connection with the operation of the system. Any other use above and beyond the aforementioned is only permitted with the written consent of the manufacturer.

1.6. SPARE PARTS



WARNING!

- Risk of injury from using incorrect spare parts!
- The use of incorrect or defective spare parts can result in risks for the operating staff and in damages, malfunctions or total failure of the system.
- Only use original spare parts from the manufacturer or spare parts authorized by the manufacturer.
- Always consult the manufacturer if in doubt.



LOSS OF WARRANTY

- The manufacturer's warranty lapses if unauthorized spare parts are used.

1.7. WARRANTY PROVISION

The warranty provisions are included in the manufacturer's general terms and conditions of business. See chapter VI. Warranty Claims.

1.8. CUSTOMER SERVICE

GCE GmbH

Weyhserer Weg 8

DE-36043 Fulda

+49 (0) 661 8393 -0

www.gcegroup.com

service.druva@gcegroup.com

Please do not hesitate to provide us with information and experiences gained through use; we welcome any valuable input that will help to improve our products.

2. SAFETY

This section provides an overview of all the important safety aspects to ensure the protection of your staff and the safe and trouble-free operation of the equipment. Further safety information relating to specific tasks can be found in the sections on the individual life cycle phases.

2.1. INTENDED USE

The VPLDSM and VSLDSM shut-off valve is only usable for the defined standard gases and pressures observing the given temperature range. The nominal flow is 20 m³/h.

Intended use also includes compliance with all the information in these instructions and compliance with reparation, maintenance working, type label and data sheets.

Any use other than, or above and beyond, the intended use constitutes improper use.



WARNING!

- ***Danger from improper use!***
- Improper use of the system can lead to dangerous situations.
- Never use the shut-off valve with liquid fluids.

2.1.1. STRUCTURAL CHANGES AT THE SHUT-OFF VALVE

Without written approval of supplier no extensions, additions or alternations are allowed on the shut-off valve.

Components which are not in perfect condition have to be changed immediately.

Cleaning of shut-off valve and disposal of residues

Used components which are ready for reparation has to be purged with an inert gas before.

Noise Generation

In some cases when specific influence quantities collaborate together, e.g. flow and pressure range can cause noise generation or the gas itself. If this happens please contact supplier.

2.2. FUNDAMENTAL RISKS

The following section addresses the residual risks that may arise, even if the system is used properly.

Observance of the safety information included below and in other sections of these instructions is mandatory in order to reduce the risk of injury and property damage and to avoid dangerous situations.



DANGER!

- ***Gases can be life threatening!***
- Gases can supersede the oxygen in air. This can result in death by asphyxiation. Oxygen produces a strongly oxidizing effect.

THEREFORE:

- Sufficient ventilation is absolutely essential.
- Installation only through certified company.
- Observe ATEX directive.

**ATTENTION!**

- **Risk of injury from environment!**

There can be malfunctions on component due to condensation and/ or icing.

THEREFORE:

- Observe suitable temperatures.
- Protect component from liquids from outside
- Protect component from dust from outside
- Protect component from weather conditions
- Grounding has to be mounted properly

**WARNING!**

- **Risk of injury from using oil and grease!**

Oil and grease must never be used in gas regulating systems. Oil and grease are highly inflammatory and can react violently to certain pressurized gases.

THEREFORE:

- Never use oil and grease

**WARNING!**

- **Risk of injury from residual energy stored in the system!**

If handled incorrectly, pressurized components can move uncontrollably and cause severe injury. If handled incorrectly or defective, pressurized components can leak gas under high pressure and cause severe or even fatal injuries.

BEFORE STARTING WORK WITH THESE COMPONENTS:

- Installation only through certified company.
- Always wear protective goggles when working.
- Always wear ear protection.
- Make sure the equipment is depressurized. Also make sure the residual energy is discharged.
- Always ensure that gas cannot leak unintentionally.
- Make sure that defective components that are pressurized during operation are immediately replaced by trained staff.

**WARNING!**

- **Danger of accident!**

Due to wrong installation there can be serious or even mortal injuries.

THEREFORE:

- During installation the component should be kept safe
- Never throw the component

Pressurised components are only for intended use.

If there are mechanical damages at tubing or components the whole system has to be put in a safe condition. Affected area has to be blocked. Troubles which could influence safety, have to be eliminated through qualified staff or supplier.

Especially with gases failure in pressure regulator could happen. Indications for defective regulator is no flow or immediately rising outlet pressure. In this case system has to be shut-off and the relevant department for maintenance has to be informed. Never close exhaust piping.

2.3. OPERATOR'S RESPONSIBILITY

OPERATOR

The operator is the person who operates the system for commercial or business purposes or who provides the system for use/application by a third party, and who bears legal product responsibility for protecting the user, staff or third parties during operation.

OPERATOR'S DUTIES

The system is used for commercial purposes. The operator of the system is therefore subject to legal work safety obligations.

Compliance with the safety, accident prevention and environmental protection regulations that apply for the use of the system is mandatory, in addition to the safety information in these instructions.

THE FOLLOWING APPLIES IN PARTICULAR:

- The operator must be aware of the applicable work safety regulations and must perform a risk assessment to identify risks that may occur as a result of the specific working conditions at the site where the system is operated. The operator must use this assessment as the basis for compiling instructions for operating the system.
- During the entire period in which the system is operated, the operator must ensure that these operating instructions comply with the latest regulations, and must update the instructions if necessary.
- The operator must assign clear and specific responsibility for installation, operation, troubleshooting, maintenance and cleaning.
- The operator must ensure that all members of staff who work with the system have read and understood these instructions. The operator must also ensure that these members of staff are trained at regular intervals and are aware of the risks.
- The operator must provide the staff with the requisite protective equipment and bindingly obligate the staff to wear the necessary protective equipment.

In addition, the operator is responsible for ensuring full technical reliability of the system at all times.

AS SUCH, THE FOLLOWING APPLIES:

- The operator must ensure compliance with the maintenance intervals specified in these instructions.
- The operator must ensure that all safety equipment is regularly inspected for functional reliability and completeness.

2.4. PERSONNEL REQUIREMENTS

2.4.1. QUALIFICATIONS

The various tasks described in these instructions constitute differing requirements in respect of the qualifications of the staff charged with performing these tasks.



WARNING!

• ***Danger if staff is insufficiently qualified!***

- Insufficiently qualified staff is not able to assess the risks associated with the system and expose both themselves and others to the risk of severe or fatal injury.
- Ensure that all works are only performed by staff qualified for the specific task.
- Keep insufficiently qualified people out of the work area.

The works must always be assigned only to individuals who can be trusted to perform the works reliably. People with impaired reactions, e.g. as a result of drugs, alcohol or medication, must not be allowed to perform works.

These instructions define the qualifications below that are necessary for the respective tasks:

GAS ENGINEER:

Have a professional training, skills and experience and the knowledge of the pertinent standards and regulations to perform works on gas systems and to identify potential hazards. Gas engineers are trained specifically for the site where they work and are familiar with all relevant standards and regulations.

TECHNICIAN

Have the professional training, skills and experience and the knowledge of the pertinent standards and regulations to perform the assigned works and to identify and avoid potential hazards.

2.4.2. UNAUTHORIZED PERSONNEL



WARNING!

• ***Risks associated with unauthorized personnel in the hazard and work areas can be life threatening!***

- Unauthorized individuals without the qualifications described in this section are not familiar with the risks in the work area. As such, they are in danger of severe or even fatal injury.
- Keep unauthorized personnel away from the hazard and work area.
- If in doubt, approach individuals and instruct them to leave the hazard and work area.
- Stop any work while unauthorized individuals are in the hazard and work area.

2.4.3. TRAINING

The operator must train the staff at regular intervals. A training log must be maintained for purposes of better tracking and must contain the following information, at least:

- Date of training
- Names of trained staff
- Contents of the training session
- Name of trainer
- Signatures of the staff members in training and of the trainer

2.5. PERSONAL PROTECTIVE EQUIPMENT

Personal protective equipment protects staff from safety and health hazards while working.

Various tasks on and associated with, the system necessitate the use of personal protective equipment, which is described in more detail in the individual sections of these instructions.



BREATHING APPARATUS

To protect against harmful gases, vapors, dust and similar materials and media. Breathing apparatus (e.g. compressed air respirator) must be used when an oxygen content of at least 17% in the ambient air is not guaranteed or when the limit of a hazardous substance in the ambient air is exceeded more than 100-fold. Breathing apparatus may only be worn by people who have been specially trained in the use.



BREATHING APPARATUS, DEPENDENT ON AIR CIRCULATION

To protect against harmful gases, vapors, dust and similar materials and media. Breathing apparatus must be worn if a permissible limit is exceeded 100-fold. The breathing apparatus may only be used when the oxygen content in the ambient air measures at least 17%.



PROTECTIVE GOGGLES

To protect the eyes against airborne parts and splashes of liquid.



CHEMICAL-RESISTANT GLOVES

To protect the hands from aggressive substances. Make sure the protective gloves are leak-proof before wear. Before taking the gloves off, clean them and then store them in a well ventilated location.



PROTECTIVE GLOVES

To protect the hands against abrasion, scrapes, pricks or deeper injuries and contact with hot or cold surfaces.



WEAR HEARING PROTECTION

To protect the hands against abrasion, scrapes, pricks or deeper injuries and contact with hot or cold surfaces.

2.6. BEHAVIOR IN CASE OF FIRE OR ACCIDENT

PREVENTIVE MEASURE

- Always be prepared for fires and accidents!
- Always keep first aid equipment (kit, blankets, etc.) and fire extinguishing equipment in working order and close to hand.
- Familiarize the staff with accident reporting, first aid and emergency procedures.
- Keep the access routes free for emergency service vehicles.

MEASURES IN THE EVENT OF FIRE OR ACCIDENT

- If there is no risk to your own safety, remove people from the danger zone.
- Administer first aid if necessary.
- Notify the fire brigade and/or emergency service.
- In the event of fire: If there is no risk to your own safety, use fire extinguishing equipment to fight the fire until the fire brigade arrives.
- Inform the person responsible at the location.
- Make sure the access routes are free for emergency service vehicles.
- Direct the emergency service vehicles.

2.7. ENVIRONMENTAL PROTECTION



NOTE!

- **Risk of environmental pollution from incorrect handling of environmentally hazardous substances!**
- The environment can suffer substantial damage if environmentally hazardous substances are handled, and especially disposed of, incorrectly.
- Always observe the information below on handling environmentally hazardous substances and their disposal.
- Take immediate measures if environmentally hazardous substances are accidentally released into the environment. If in doubt, notify the responsible local authorities about the damage and enquire about the suitable measures to be taken.

2.8. SIGNAGE



WARNING!

- **Danger from illegible signs!**
- Labels and signs can gather dirt or become otherwise illegible over time, thus preventing the recognition of risks and compliance with the requisite operating information. This could result in injury.
- Make sure all safety, warning and operation information is legible at all times.
- Immediately replace any damaged signs or labels.

2.8.1. SIGNS THAT GIVE ORDERS

- No signs

2.8.2. SIGNS INDICATING BANS

- No signs

2.8.3. WARNING SIGNS



GAS BOTTLES HAZARD



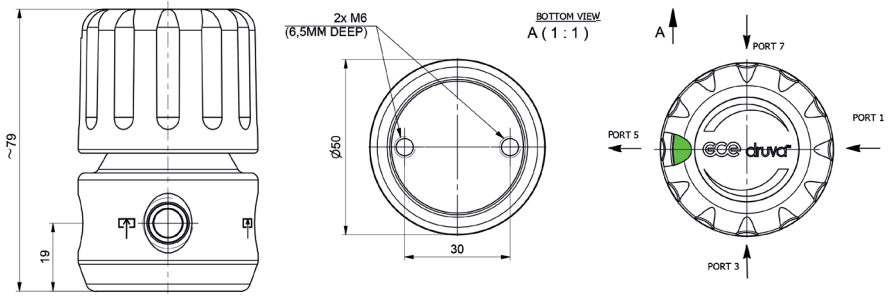
EXPLOSION - HAZARDOUS
AREA



WARNING OF TOXIC AND/OR
CORROSIVE SUBSTANCES

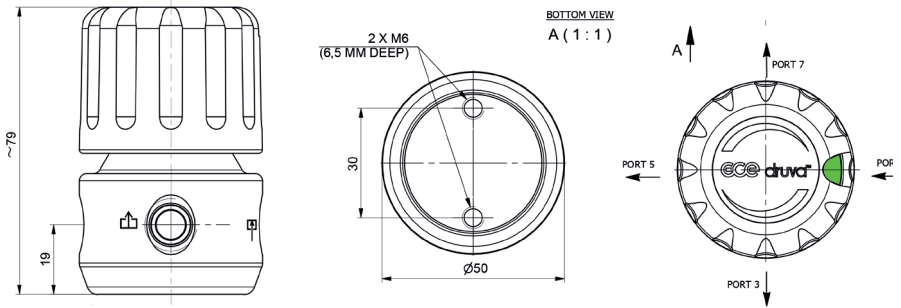
3. TECHNICAL SPECIFICATIONS

3.1. DIMENSION – VPLDSMIR / VSLDSMIR



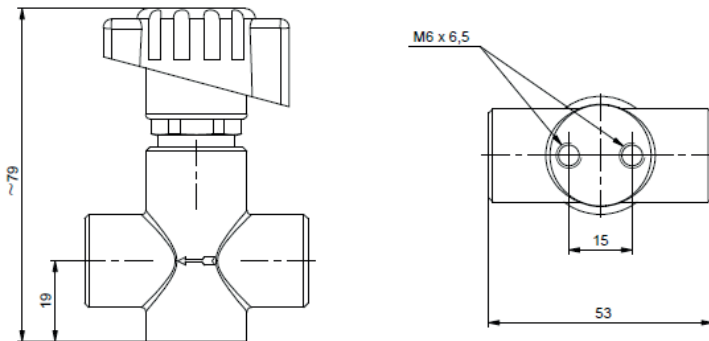
EN

3.2. DIMENSION – VPLDSMFR / VSLDSMFR

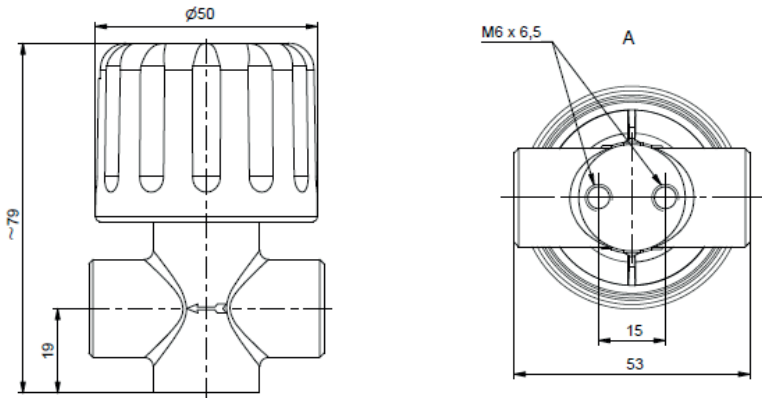


3.3. DIMENSION – VPLDSMAR / VSLDSMAR

3.3.1. DIMENSION – VPLDSMAREX / VSLDSMAREX



3.3.2. DIMENSION - VPLDSMARGX/ VSLDSMARGX



3.4. GENERAL INFORMATION

Information	Value	Unit
Weight (max.)	0,66 (VPLDSMFR, VPLDSMIR)	kg
	0,63 (VSLDSMFR, VSLDSMIR)	kg
	0,3 (VSLDSMAR, VPLDSMAR)	kg
Diameter	50, 53 for VPLDSMAREX/ VSLDSMAREX	mm
Height	79	mm

3.5. CONNECTION VALUES

Information	Value	Unit
Inlet	¼"	NPT
	3, 6, 8, 10, 12 1/8", ¼", 3/8", ½"	fitting mm fitting inch
Outlet	¼"	NPT
	3, 6, 8, 10, 12 1/8", ¼", 3/8", ½"	fitting mm fitting inch

3.6. PERFORMANCE VALUE

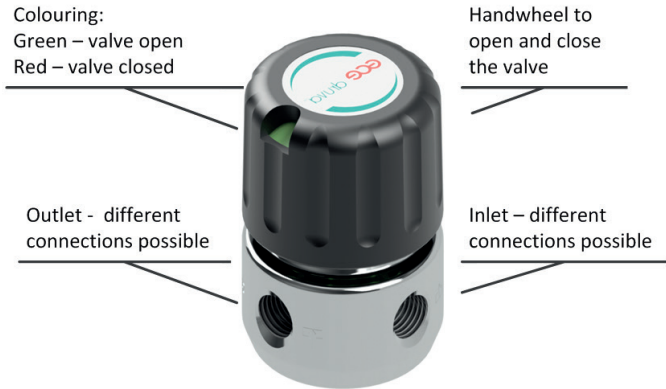
Information	Value	Unit
Nominal flow	20	m ³ /h
Inlet pressure (max.)	300, 50 for VPLDSMAREX/ VSLDSMAREX	bar

3.7. OPERATING CONDITIONS

Information	Value	Unit
Temperature range	-20 till +60	°C
Relative humidity (max.)	98	%

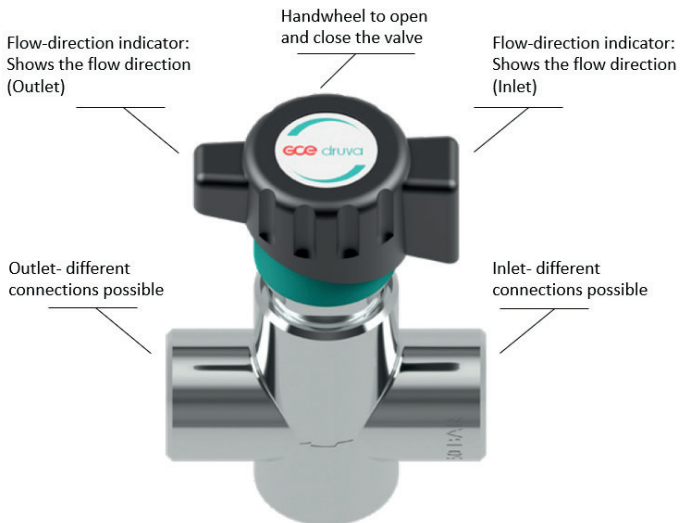
4. SET-UP AND FUNCTION

4.1. OVERVIEW – VPLDSMIR, VPLDSMFR, VSLDSMIR, VSLDSMFR



EN

4.2. OVERVIEW – VPLDSMAR, VSLDSMAR



4.3. BRIEF DESCRIPTION

The operation of the shut-off valve works manual with the handwheel (90° - turn and click). The valve is open, when you can see the green sign. It is closed when you see the red sign.

5. TRANSPORT, PACKAGING AND STORAGE



TIPS AND RECOMMENDATIONS!

- The installation and start-up of this gas supply panel is normally done by the supplier or by authorized personnel.
- Even though there can be some users or maintenance personnel who care about the packaging. The following notes should be observed accordingly.

5.1. SAFETY INFORMATION FOR TRANSPORTATION



NOTE!

- **Damages caused by inappropriate transportation!**
- If transported inappropriately, consignments can fall or topple over. This can cause considerable property damage.
- When unloading the consignments on delivery and transporting them on the premises, act with caution and observe the symbols and warnings on the packaging.
- Use only the attachment points provided.
- Do not remove the packaging until you are ready to assemble the regulator.

5.2. TRANSPORT INSPECTION

Upon delivery, check immediately that the consignment is complete and has not been damaged during transit. Procedure on detection of visible transport damage:

- Refuse acceptance of the delivery or only accept subject to reservation
- Record the extent of the damage on the transportation documentation or on the forwarder's delivery note
- File a complaint



TIPS AND RECOMMENDATIONS!

- Report each and every defect as soon as you discover it. Claims for damages can only be asserted within the specified periods.

5.3. PACKAGING

The individual consignments are packed according to the anticipated transport conditions. Without exception all packaging is made of environmentally friendly material.

The packaging is intended to protect the individual components against transport damage, corrosion and other damage until they are ready for installation. Do not, therefore, destroy the packaging; only remove it when assembly is imminent.



NOTE!

- **Risk of environmental harm through incorrect disposal!**
- Packaging materials are valuable raw materials. In many cases they can be re-used or recycled. Incorrect disposal of packaging materials can harm the environment.
- Dispose of packaging materials in an environmentally compatible manner.
- Observe locally applicable disposal regulations. If necessary, commission a specialist disposal firm.

5.4. STORAGE

Store the packages in the following conditions:

- Do not store outdoors
- Store in a dry and dust-free location
- Do not expose to aggressive media
- Protect from sunlight radiation
- Avoid mechanical jolts
- Storage temperature: 15 to 35 °C
- Relative humidity: max. 60 %
- If storing for longer than 3 months, regularly inspect the general condition of all parts and the packaging. If necessary re-apply or renew the rust-proofing



TIPS AND RECOMMENDATIONS!

- Some packages may bear labels with storage information that extends beyond these requirements. These notes should be observed accordingly.

6. INSTALLATION AND INITIAL START-UP

EN

6.1. SAFETY NOTES FOR INSTALLATION AND INITIAL START-UP

STAFF

Installation and initial start-up of the system may only be performed by qualified staff.

6.2. PREPARATION

UNPACKING

- The system components should be removed from their packaging carefully and prudently.
- Additional protective packaging should also be removed.
- Check all components of damages from transport

DEPRESSURIZE

- Depressurize components and purge with inert gas if necessary
- Cut tubing with special tool; avoid contaminations (dirt, cuttings, etc.)
- Check perfect condition of components and purity of connections

6.3. INSTALLATION

In most cases the shut-off valve is mounted with compression fittings. First remove the plastic caps from inlet and outlet. Insert the piping completely into the compression fitting. Then screw the nut hand tight. After that screw with a jaw spanner 1 ¼ turns tight. Connect the relief tubing the same way.

6.4. REQUIRED QUALIFICATIONS FOR INITIAL START-UP AND CYLINDER CHANGING

- The test protocols from the piping according to tightness and if necessary, moisture and particles are available
- In process gas tubing is only standard gas (see 1.2)
- The start-up is only realized by qualified personal
- Wear safety clothes according to regulations
- Use spark-free tools and provide before installation
- Before first start-up check type label, if the component is suitable for the provided purpose (gas, pressure, material, etc.)

6.5. INITIAL START UP

- All requirements are fulfilled as on point 6.4
- Shut-off valve is closed, red marking is visible



WARNING!

- Make sure the valve are not exposed to pressure levels that exceed their respective permissible nominal pressure.

6.5.1. FILL THE PROCESS GAS TUBING WITH PROCESS GAS

Open the shut-off valve slowly and carefully until the green mark is visible.

The shut-off valve is now in operation.

It is recommended to check the shut-off valve daily and to check the tightness.

6.5.2. TAKING GAS SUPPLY OUT OF OPERATION

Close shut-off valve until the red sign is visible.

Shut-off valve is now out of operation. Reparation and/ or maintenance work could be done now.

6.6. TESTS

- After pressurizing check the function of shut-off valve.

7. OPERATION

In reference to chapter 2.1 the operation of the shut-off valve is defined.



BEWARE!

- Valves must always be opened slowly and carefully to prevent pressure surges in the system and damage to the other components!

8. MAINTENANCE

8.1. SAFETY NOTES FOR MAINTENANCE



NOTE!

- Maintenance may only be performed by sufficiently qualified, trained and authorized individuals (see section 2.4)

8.2. MAINTENANCE PLAN

The following sections describe the maintenance works that must be performed to ensure the optimum and trouble-free operation of the regulator.

If regular inspections reveal increased wear, the requisite maintenance intervals must be shortened to reflect the actual wear and tear.



NOTE!

- Please contact the manufacturer if you have any questions relating to maintenance works and intervals (see 1.8 for contact details).

Interval	Maintenance work	Personal
Weekly	Check all components visually	Competent Person (TRBS 1203)
Every year	Checking function & tightness, check for all safety relevant components	Competent Person (TRBS 1203)
Every 10 years	General overhaul and replacement of all wearing parts	Competent Person (TRBS 1203)

8.3. MAINTENANCE WORK

8.3.1. CLEANING



NOTE!

- All cleaning agents must be compatible with the materials of the installed component.

8.3.2. REQUIREMENTS FOR MAINTENANCE

CHECK BEFORE MAINTENANCE START, IF:

- Gas supply is disconnected and safe
- Manifold is depressurized
- Pressure regulator is depressurized
- Valves are closed
- No process gas inside component.
- System is purged and filled with inert gas.

8.3.3. NECESSARY MAINTENANCE

- Check accuracy of pressure gauges
- Manifold, pressure regulator, valve and gauges: check condition, function and labeling
- Check labelling
- Check for corrosion
- Check function

- Pressure test with 1-times working pressure for 12 hours
- Worn and defective components must be changed immediately from authorized qualified company
- Valve is designed according to ISO 10297, including type test with cycle test from up to 2000 cycles. Change inner parts after 2000 cycles, change must be done from authorized qualified company
- If there are any leakages or too much corrosion at the manifold/ pressure regulator or valve, component must be replaced with all connections by an authorized company
- After the changing of components or tubes, pressure and leakage test must be done again and be protocolled

8.4. MEASURES FOLLOWING MAINTENANCE

THE FOLLOWING STEPS MUST BE PERFORMED WHEN THE MAINTENANCE WORKS HAVE BEEN COMPLETED AND BEFORE SWITCHING ON THE SYSTEM.

1. Make sure that all tools, materials and other equipment have been removed from work area.
2. Clean the work area and remove any spilled substances, e.g. liquids, processing material or similar.
3. Make sure that safety relevant components are working perfect.

9. TROUBLESHOOTING

The following section describes possible causes of malfunction and how to eliminate them. If malfunctions occur with increasing regularity, shorten the maintenance intervals to reflect the actual load. If malfunctions occur that cannot be eliminated with the following help, please contact the manufacturer (see section 1.8 for contact details).

9.1. SAFETY NOTES FOR TROUBLESHOOTING

In any case of malfunction, the shut-off valves of the connected gas cylinder, gas container or bundle must be closed. Never operate devices with malfunctions under pressure.

WHAT TO DO IN CASE OF MALFUNCTION:

1. Interrupt and ensure gas supply.
2. Depressurize pressure regulators and close valves.
3. Only trained technical staff may eliminate malfunctions.
4. Restore component to its original state.

Description	Reason	Solution	Valve	Cylinder Regulator	Line Regulator	Gas Supply Panel
No Flow (Inlet Gauge shows pressure, outlet gauge not)	Pressure Regulator is closed	Open pressure regulator slowly Close purge valve		<input checked="" type="checkbox"/>	<input checked="" type="checkbox"/>	<input checked="" type="checkbox"/>
No Flow (Inlet and Outlet Gauge show „0“)	Cylinder Valve closed Processgas Valve closed Pressure Regulator closed Cylinder coil/ hose not connected	Initial Start- Up see point 6 Installation and initial start-up		<input checked="" type="checkbox"/>	<input checked="" type="checkbox"/>	<input checked="" type="checkbox"/>
No Flow	Handwheel closed	Open hand-wheel slowly	<input checked="" type="checkbox"/>			
Increase of outlet pressure & relief valve opens	Leakage in pressure regulator seat	Repair by manufacturer		<input checked="" type="checkbox"/>	<input checked="" type="checkbox"/>	<input checked="" type="checkbox"/>

Description	Reason	Solution	Valve	Cylinder Regulator	Line Regulator	Gas Supply Panel
Slight increase of outlet pressure & relief valve does not open	Inlet pressure drop	No failure, normal operating state		<input checked="" type="checkbox"/>	<input checked="" type="checkbox"/>	<input checked="" type="checkbox"/>
Slight increase of outlet pressure	Difference between flow pressure (with gas flow) and Zero Pressure (without gas flow)	No failure, normal operating state		<input checked="" type="checkbox"/>	<input checked="" type="checkbox"/>	<input checked="" type="checkbox"/>
Slight drop of outlet pressure	Difference between flow pressure (with gas flow) and Zero Pressure (without gas flow)	No failure, normal operating state		<input checked="" type="checkbox"/>	<input checked="" type="checkbox"/>	<input checked="" type="checkbox"/>
Heavy drop of outlet pressure	Required flow to high for pressure regulator	Choose new pressure regulator for required pressure and flow		<input checked="" type="checkbox"/>	<input checked="" type="checkbox"/>	<input checked="" type="checkbox"/>
Heavy drop of outlet pressure	Leakage in process gas tubing	Check process gas tubing		<input checked="" type="checkbox"/>	<input checked="" type="checkbox"/>	<input checked="" type="checkbox"/>
Outlet Pressure to high	Wrong settings for pressure regulator	Adjust pressure regulator settings, readjust pressure regulator, maintenance		<input checked="" type="checkbox"/>	<input checked="" type="checkbox"/>	<input checked="" type="checkbox"/>
Outlet pressure increase immediately all the way to the stop or outlet pressure increases and gets slowly higher than set value and relief valve opens	Pollution or damage of pressure regulator seat "Creap"	Repair by manufacturer		<input checked="" type="checkbox"/>	<input checked="" type="checkbox"/>	<input checked="" type="checkbox"/>
Noise during operation	Required flow too high for pressure regulator	Choose new pressure regulator for required pressure and flow		<input checked="" type="checkbox"/>	<input checked="" type="checkbox"/>	<input checked="" type="checkbox"/>

Description	Reason	Solution	Valve	Cylinder Regulator	Line Regulator	Gas Supply Panel
No changes of valve control when turning the handwheel	Defect handwheel because of too high torque, defect of spindle, defect of thread	Repair by manufacturer	☑	☑	☑	☑
Moisture on pressure regulator (NO dew, rain or snow)	Pressure regulator withdraw energy from environment through gas expansion	No failure, normal operating state		☑	☑	☑
Icing on pressure regulator (NO dew, rain or snow)	Pressure regulator withdraw energy from environment through gas expansion, limited delivery performance from pressure gas tanks, e.g. N2O, CO2	No failure, normal operating state ATTENTION: keep functionality of contact gauges in mind, raise quantity of pressure gas tanks		☑	☑	☑

This table is not exhaustive. For questions and ambiguities please contact manufacturer. Contact details section 1.8.

10. DISMANTLING AND DISPOSAL

Once the system has reached its end-of-life, it must be dismantled and disposed of in an environmentally compatible way.

10.1. SAFETY NOTES FOR DISMANTLING AND DISPOSAL



WARNING!

- **Risk of injury through incorrect dismantling!**

RESIDUAL ENERGY STORAGE, SHARP EDGED COMPONENTS, TIPS AND CORNERS ON AND IN THE SYSTEM OR ON THE REQUIRED TOOLS CAN CAUSE INJURY.

- arrange enough space for working
- be careful with sharp edges
- pay attention for order and cleanness
- loose components can cause accidents
- dismantle the components properly. Bear in mind that some of the components are heavy. Use lifting equipment if necessary
- secure the components against falling or toppling over

10.2. DISMANTLING

PRIOR STARTING DISMANTLING

Depressurize the shut-off valve by turning the handwheel 90°.

Depressurize tubing system and purge with inert gas if necessary.

Dismantle the assemblies and components properly and in compliance with applicable local work safety and environmental protection regulations.

At the end devices and components have to be cleaned and disassembled due to valid rules of industrial safety and environment protection.



WARNING!

- ***Do not open system filled or used with toxic and/ or corrosive gases.***

10.3. DISPOSAL

In the absence of a return or disposal agreement, the dismantled components should be recycled as follows:

Metals: scrap.

Plastics: recycle.

Other components: sort and dispose.

In accordance to Article 33 of REACH GCE, s.r.o. as responsible manufacturer shall inform all customers if materials containing 0.1% or more of substances included in the list of Substance of Very High Concern (SVHC).

The most commonly used brass alloys used for bodies and other brass components contain 2-3% of lead (Pb), EC no. 231-100-4, CAS no. 7439-92-1. The lead will not be released to the gas or surrounding environment during normal use. After end of life the product shall be scrapped by an authorized metal recycler to ensure efficient material handling with minimal impact to environment and health.

To date we have no information that indicates that other materials containing SVHC of concentrations exceeding 0.1% are included in any GCE product.



NOTE!

- ***Risk of environmental harm through incorrect disposal!***
- Incorrect disposal can harm the environment.
- Commission a specialized licensed firm to dispose of electrical waste, electronic components, lubricants and other auxiliary materials.
- In doubt, enquire how to ensure environmentally compatible disposal at your local council office or consult a specialist disposal firm.

MANUFACTURER:

GCE s.r.o.

Zizkova 381

583 01 Chotebor

Czech Republic

Tel : +420 569 661 111

Fax : +420 569 661 602

<http://www.gcegroup.com>

© GCE s.r.o.

INHALT

DE

1. Allgemeines.....	24
1.1. Information zu dieser Anleitung	24
1.2. Information zum Ventil.....	24
1.3. Symbolerklärung	24
1.4. Haftungsbeschränkung.....	25
1.5. Urheberschutz	25
1.6. Ersatzteile	26
1.7. Gewährleistungsbestimmungen.....	26
1.8. Kundenservice.....	26
2. Sicherheit.....	26
2.1. Bestimmungsgemäße Verwendung.....	26
2.1.1. Bauliche Veränderung am Absperrventil.....	27
2.2. Grundsätzliche Gefahren.....	27
2.3. Verantwortung des Betreibers	28
2.4. Personalanforderungen	29
2.4.1. Qualifikationen	29
2.4.2. Unbefugte	29
2.4.3. Unterweisung.....	29
2.5. Persönliche Schutzausrüstung.....	29
2.6. Verhalten bei Feuerausbruch und bei Unfällen.....	30
2.7. Umweltschutz	30
2.8. Beschilderung.....	31
2.8.1. Gebotzeichen.....	31
2.8.2. Verbotzeichen	31
2.8.3. Warnzeichen.....	31
3. Technische Daten.....	31
3.1. Massblatt – VPLDSMIR / VSLDSMIR	31
3.2. Massblatt – VPLDSMFR / VSLDSMFR	31
3.3. Massblatt – VPLDSMAR / VSLDSMAR	32
3.3.1. Massblatt – VPLDSMAREX/ VSLDSMAREX.....	32
3.3.2. Massblatt - VPLDSMARGX/ VSLDSMARGX.....	32
3.4. Allgemeine Angaben	33
3.5. Anschlusswerte	33
3.6. Leistungswerte	33
3.7. Betriebsbedingungen Umgebung.....	33
4. Aufbau und Funktion.....	34
4.1. Aufbau VPLDSMIR, VPLDSMFR, VSLDSMIR, VSLDSMFR	34
4.2. Aufbau VPLDSMIR, VPLDSMFR, VSLDSMIR, VSLDSMFR	34
4.3. Kurzbeschreibung.....	34
5. Transport, Verpackung und Lagerung.....	35
5.1. Sicherheitshinweise für den Transport.....	35
5.2. Transport Inspektion	35
5.3. Verpackung	35
5.4. Lagerung.....	35

- 6. Installation und Erstinbetriebnahme 36
 - 6.1. Sicherheitshinweise für die Installation und Erstinbetriebnahme 36
 - 6.2. Vorbereitungen 36
 - 6.3. Installation..... 36
 - 6.4. Voraussetzung zur Erstinbetriebnahme..... 36
 - 6.5. Erstinbetriebnahme..... 36
 - 6.5.1. Füllen der Prozessgasleitung mit Prozessgas..... 36
 - 6.5.2. Außerbetriebnahme der Anlage 36
 - 6.6. Prüfungen 37
- 7. Betrieb..... 37
- 8. Wartung 37
 - 8.1. Sicherheitshinweise für die Wartung 37
 - 8.2. Wartungsplan 37
 - 8.3. wartungsarbeiten 37
 - 8.3.1. Reinigung..... 37
 - 8.3.2. Voraussetzung zur Wartung 37
 - 8.3.3. NOTWENDIGE WARTUNGSLEISTUNG..... 38
 - 8.4. MASSNAHMEN NACH ERFOLGTER WARTUNG 38
- 9. Störungen..... 38
 - 9.1. SICHERHEITSHINWEISE FÜR DIE STÖRUNGSBEHEBUNG 38
- 10. Demontage und Entsorgung 41
 - 10.1. Sicherheitshinweise für die Demontage und Entsorgung 41
 - 10.2. Demontage 41
 - 10.3. Entsorgung..... 41

1. ALLGEMEINES

1.1. INFORMATION ZU DIESER ANLEITUNG

Diese Anleitung gilt für Absperrventile des Typs:

- VPLDSMAR – 2-Port Absperrventil, 1x Eingang, 1x Ausgang, Messing verchromt
- VPLDSMFR – 4-Port Absperrventil, 1x Eingang, 3x Ausgang, Messing verchromt
- VPLDSMIR – 4 Port Absperrventil, 3x Eingang, 1x Ausgang, Messing verchromt
- VSLDSMAR – 2-Port Absperrventil, 1x Eingang, 1x Ausgang, Edelstahl
- VSLDSMFR – 4-Port Absperrventil, 1x Eingang, 3x Ausgang, Edelstahl
- VSLDSMIR – 4 Port Absperrventil, 3x Eingang, 1x Ausgang, Edelstahl

Ventile dieses Typs dienen zur Unterbrechung des Gasflusses. Sie werden dauerhaft im Rohrleitungsnetz eingebaut.

Diese Anleitung ermöglicht den sicheren und effizienten Umgang mit dem Gerät. Die Anleitung ist Bestandteil des Geräts und muss in unmittelbarer Nähe des Geräts für das Personal jederzeit zugänglich aufbewahrt werden.

Das Personal muss diese Anleitung vor Beginn aller Arbeiten sorgfältig durchgelesen und verstanden haben. Grundvoraussetzung für sicheres Arbeiten ist die Einhaltung aller angegebenen Sicherheitshinweise und Handlungsanweisungen in dieser Anleitung.

Darüber hinaus gelten die örtlichen Unfallverhütungsvorschriften und allgemeinen Sicherheitsbestimmungen für den Einsatzbereich des Geräts.

Abbildungen in dieser Anleitung dienen dem grundsätzlichen Verständnis und können von der tatsächlichen Ausführung abweichen.

1.2. INFORMATION ZUM VENTIL

Ventile dieses Typs dürfen nur mit denen als Standard Gas definierten Gasen verwendet werden. Der maximale Arbeitsdruck für diese Ventile beträgt 300 bar.

Standardgase für Messing verchromte Ventile sind industrielle, inerte, entzündbare, brandfördernde Gase und deren Mischungen. **Nicht** zugelassen für Messing verchromte Ventile sind ätzende und/oder giftige Gase und/oder deren Mischungen.

Die Edelstahlversion der Ventile ist zusätzlich zu den Standardgasen ebenfalls für ätzende und giftige Gase und/ oder deren Mischungen verwendbar.

Absperrventile mit Metallmembran in 2-Port, bzw. 4-Port Ausführung. Hergestellt und geprüft nach ISO 10297 inklusive Sauerstoff-Ausbrenntest für Hauptabsperrventile. Das Absperrventil besteht aus Ventilkörper und Handrad. Am Handrad ist die Ventilstellung durch eine farbliche Markierung abzulesen.

„Grün“ – Ventil ist offen.

„Rot“ – Ventil ist geschlossen.

Für die Eingangs- und Ausgangsanschlüsse sind unterschiedlichen Klemmringverschraubungen verfügbar.

1.3. SYMBOLERKLÄRUNG

SICHERHEITSHINWEISE

Sicherheitshinweise sind in dieser Anleitung durch Symbole gekennzeichnet. Die Sicherheitshinweise werden durch Signalworte eingeleitet, die das Ausmaß der Gefährdung zum Ausdruck bringen.







GEFAHR!

Diese Kombination aus Symbol und Signalwort weist auf eine unmittelbar gefährliche Situation hin, die zum Tod oder zu schweren Verletzungen führt, wenn sie nicht gemieden wird.



WARNUNG!

Diese Kombination aus Symbol und Signalwort weist auf eine möglicherweise gefährliche Situation hin, die zum Tod oder zu schweren Verletzungen führen kann, wenn sie nicht gemieden wird.

	<p>VORSICHT!</p> <p>Diese Kombination aus Symbol und Signalwort weist auf eine möglicherweise gefährliche Situation hin, die zu geringfügigen oder leichten Verletzungen führen kann, wenn sie nicht gemieden wird.</p>
	<p>HINWEIS!</p> <p>Diese Kombination aus Symbol und Signalwort weist auf eine möglicherweise gefährliche Situation hin, die zu Sach- und Umweltschäden führen kann, wenn sie nicht gemieden wird.</p>
	<p>TIPPS UND EMPFEHLUNGEN</p> <p>Dieses Symbol hebt nützliche Tipps und Empfehlungen sowie Informationen für einen effizienten und störungsfreien Betrieb hervor.</p>
<p>BESONDERE HINWEISE</p>	<p>Um auf besondere Gefahren aufmerksam zu machen, werden in Sicherheitshinweisen folgende Symbole eingesetzt.</p>
	<p>GEFAHR!</p> <p>Diese Kombination aus Symbol und Signalwort weist auf eine unmittelbar gefährliche Situation durch elektrischen Strom hin. Wird ein so gekennzeichnete Hinweis nicht beachtet, sind schwere oder tödliche Verletzungen die Folge.</p>

1.4. HAFTUNGSBESCHRÄNKUNG

Alle Angaben und Hinweise in dieser Anleitung wurden unter Berücksichtigung der geltenden Normen und Vorschriften, des Stands der Technik sowie unserer langjährigen Erkenntnisse und Erfahrungen zusammengestellt. In folgenden Fällen übernimmt der Hersteller für Schäden keine Haftung:

- Nichtbeachtung dieser Anleitung
- von der bestimmungsgemäßen, abweichenden Verwendung
- Einsatz von nicht ausgebildetem Personal
- eigenmächtige technische und bauliche Veränderungen
- Verwendung nicht zugelassener Ersatzteile
- Betreiben des druckführenden Gerätes bei defekten Sicherheitseinrichtungen oder nicht funktionsgemäß angebrachten oder nicht funktionsfähigen Sicherheits- und Schutzvorrichtungen
- mangelhafte Überwachung von Ausrüstungs-, Verschraubungs- und Dichtungsteilen, die einem Verschleiß unterliegen
- unsachgemäß durchgeführte Reparaturen
- Überschreitung oder Unterschreitung des im Datenblatt angegebenen Temperaturbereichs während des Betriebes bzw. während der Lagerung
- Katastrophenfälle durch Fremdkörpereinwirkung und höhere Gewalt

Der tatsächliche Lieferumfang kann bei Sonderausführungen, der Inanspruchnahme zusätzlicher Bestelloptionen oder aufgrund neuester technischer Änderungen von den hier beschriebenen Erläuterungen und Darstellungen abweichen. Es gelten die im Liefervertrag vereinbarten Verpflichtungen, die allgemeinen Geschäftsbedingungen sowie die Lieferbedingungen des Herstellers und die zum Zeitpunkt des Vertragsabschlusses gültigen gesetzlichen Regelungen.

1.5. URHEBERSCHUTZ

Die Inhalte dieser Anleitung sind urheberrechtlich geschützt. Ihre Verwendung ist im Rahmen der Nutzung des Geräts zulässig. Eine darüber hinausgehende Verwendung ist ohne schriftliche Genehmigung des Herstellers nicht gestattet.

1.6. ERSATZTEILE



WARNUNG!

- Verletzungsgefahr durch die Verwendung falscher Ersatzteile!
- Durch die Verwendung falscher oder fehlerhafter Ersatzteile können Gefahren für das Personal entstehen sowie Beschädigungen, Fehlfunktionen oder Totalausfall verursacht werden.
- Nur Originalersatzteile des Herstellers oder vom Hersteller zugelassene Ersatzteile verwenden.
- Bei Unklarheiten stets Hersteller kontaktieren.

DE



GARANTIEVERLUST!

- Bei Verwendung nicht zugelassener Ersatzteile erlischt die Herstellergarantie

1.7. GEWÄHRLEISTUNGSBESTIMMUNGEN

Die Gewährleistungsbestimmungen sind in den Allgemeinen Geschäftsbedingungen des Herstellers enthalten. Siehe AGBs Abschnitt VI. Mängelansprüche.

1.8. KUNDENSERVICE

GCE GmbH

Weyherer Weg 8

DE-36043 Fulda

+49 (0) 661 8393 -0

www.gcegroup.com

service.druva@gcegroup.com

Wir sind stets an Informationen und Erfahrungen interessiert, die sich aus der Anwendung ergeben und für die Verbesserung unserer Produkte wertvoll sein können.

2. SICHERHEIT

Dieser Abschnitt gibt einen Überblick über alle wichtigen Sicherheitsaspekte für den Schutz von Personen sowie für den sicheren und störungsfreien Betrieb. Weitere aufgabenbezogene Sicherheitshinweise sind in den Abschnitten zu den einzelnen Lebensphasen enthalten.

2.1. BESTIMMUNGSGEMÄSSE VERWENDUNG

Das VPLDSM und VSLDSM Absperrventil ist nur für die angegebenen Gase und Drücke unter Einhaltung der angegebenen Temperaturen zu verwenden. Der nominale Volumenstrom beträgt 20 m³/h.

Zur bestimmungsgemäßen Verwendung gehören auch die Einhaltung aller Angaben und Hinweise in dieser Anleitung und die Einhaltung der Inspektions- und Wartungsarbeiten, sowie das Beachten des Typenschildes und der Datenblätter

Jede über die bestimmungsgemäße Verwendung hinausgehende oder andersartige Benutzung gilt als Fehlgebrauch.



WARNUNG!

- **Gefahr bei Fehlgebrauch!**
- Fehlgebrauch der Ventile kann zu gefährlichen Situationen führen.
- Niemals die Ventile für Flüssigkeiten verwenden.

2.1.1. BAULICHE VERÄNDERUNG AM ABSPERRVENTIL

Ohne schriftliche Genehmigung des Herstellers keine Veränderung, An- oder Umbauten am Absperrventil vornehmen.

Absperrventile in nicht einwandfreiem Zustand sind sofort auszutauschen

Reinigung der Gasgeräte und Entsorgung der Rückstände

Verwendete zur Reparatur anstehende Absperrventile sind mit einem inerten Gas (Stickstoff) zu spülen.

Geräuschentwicklung

In einigen Fällen kann das ungünstige Zusammenwirken bestimmter Einflussgrößen, wie z.B. Durchfluss und Druckbereich, aber auch die Gasart selbst zu Geräuschentwicklung führen. Bitte setzen Sie sich in diesen Fällen mit dem Hersteller in Verbindung.

2.2. GRUNDSÄTZLICHE GEFAHREN

Im folgenden Abschnitt sind Restrisiken benannt, die vom Gerät auch bei bestimmungsgemäßer Verwendung ausgehen können.

Um die Risiken von Personen- und Sachschäden zu reduzieren und gefährliche Situationen zu vermeiden, müssen die hier aufgeführten Sicherheitshinweise und die Sicherheitshinweise in den weiteren Abschnitten dieser Anleitung beachtet werden.



GEFAHR!

- **Gase können lebensgefährlich sein!**
- Gase können die Luft verdrängen und damit den darin enthaltenen Sauerstoff. Dies kann zum Erstickungstod führen. Sauerstoff bildet eine hoch oxidative Atmosphäre. Entzündbare Gase können eine explosive Atmosphäre bilden.

DAHER:

- Für ausreichende Belüftung sorgen!
- Installation nur durch eine zertifizierte Fachfirma!
- ATEX Richtlinien beachten



ACHTUNG!

- **Gefahren die durch die Umgebung entstehen können!**
- Durch Kondensation und/ oder Vereisung können defekte am Gerät entstehen.

DAHER:

- Temperaturbereiche beachten!
- Schützen Sie das Gerät gegen Flüssigkeiten von außen!
- Schützen Sie das Gerät gegen Staub von außen!
- Wettergeschützt montieren!
- Vorhandene Erdung sachgemäß anbringen!



WARNUNG!

- **Unfallgefahr bei der Verwendung von Öl und Fett!**
- Öle und Fette dürfen in Druckregelsystemen grundsätzlich nicht verwendet werden. Öle und Fette sind hochentzündlich und reagieren heftig mit bestimmten komprimierten Gasen.

DAHER:

- Keinesfalls Öl und Fett einsetzen!



WARNUNG!

- **Unfallgefahr durch im System gespeicherte Energie!**
- Durch falsche Handhabung können drucktragende Teile oder Einzelteile dieser unkontrolliert in Bewegung geraten und ernsthafte oder sogar tödliche Verletzungen verursachen. Durch falsche Handhabung kann Gas aus den drucktragenden Teilen austreten und ernsthafte oder sogar tödliche Verletzungen hervorrufen.

VOR BEGINN ALLER ARBEITEN MIT DRUCKTRAGENDEN TEILEN:

- Installation nur durch eine zertifizierte Fachfirma!
- Schutzbrille tragen!
- Gehörschutz tragen!
- Sicherstellen, dass System nicht unter Druck steht!
- Sicherstellen, dass keine Energie mehr im System gespeichert ist!
- Sicherstellen, dass kein Gas ungewollt austreten kann!
- Sicherstellen, dass defekte Teile unmittelbar durch geschultes Personal ausgetauscht werden!



WARNUNG!

DE

- **Unfallgefahr!**

- Durch falsche Installation kann es zu ernsthafte oder sogar tödliche Verletzungen kommen.

DAHER:

- Sicherung der Geräte vor Herunterfallen während der Installation!
- Geräte nicht werfen!

Drucktragende Teile sind nur für die bestimmungsgemäße Verwendung zu benutzen.

Bei mechanischer Beschädigung der Rohrleitungen und Armaturen muss das System in den sicheren Zustand gebracht werden (betroffenen Abschnitt sperren).

Störungen, welche die Sicherheit beeinträchtigen können, sind umgehend durch dafür geschulte und qualifizierte Mitarbeiter bzw. den Hersteller zu beseitigen.

Besonders bei Gasen besteht die Gefahr eines Defektes am Leitungsdruckregler. Kennzeichen dafür sind entweder kein Gasdurchfluss nach dem Druckregler oder ein plötzlicher Hinterdruckanstieg. Bei Defekt des Druckreglers ist das System sofort außer Betrieb zu nehmen. Die zuständige Wartungsfirma ist unbedingt zu informieren. Nie Abblaseleitungen verschließen.

2.3. VERANTWORTUNG DES BETREIBERS

BETREIBER

Betreiber ist diejenige Person, die das Gerät zu gewerblichen oder wirtschaftlichen Zwecken selbst betreibt oder einem Dritten zur Nutzung/Anwendung überlässt und während des Betriebs die rechtliche Produktverantwortung für den Schutz des Benutzers, des Personals oder Dritter trägt.

BETREIBERPFLICHTEN

Das Gerät wird im gewerblichen Bereich eingesetzt. Der Betreiber des Geräts unterliegt daher den gesetzlichen Pflichten zur Arbeitssicherheit.

Neben den Sicherheitshinweisen in dieser Anleitung müssen die für den Einsatzbereich des Geräts gültigen Sicherheits-, Unfallverhütungs- und Umweltschutzvorschriften eingehalten werden.

DABEI GILT INSBESONDERE FOLGENDES:

- Der Betreiber muss sich über die geltenden Arbeitsschutzbestimmungen informieren und in einer Gefährdungsbeurteilung zusätzlich Gefahren ermitteln, die sich durch die speziellen Arbeitsbedingungen am Einsatzort des Geräts ergeben. Diese muss er in Form von Betriebsanweisungen für den Betrieb des Geräts umsetzen.
- Der Betreiber muss während der gesamten Einsatzzeit des Geräts prüfen, ob die von ihm erstellten Betriebsanweisungen dem aktuellen Stand der Regelwerke entsprechen, und diese, falls erforderlich, anpassen.
- Der Betreiber muss die Zuständigkeiten für Installation, Bedienung, Störungsbeseitigung, Wartung und Reinigung eindeutig regeln und festlegen.
- Der Betreiber muss dafür sorgen, dass alle Personen, die mit dem Gerät umgehen, diese Anleitung gelesen und verstanden haben. Darüber hinaus muss er das Personal in regelmäßigen Abständen schulen und über die Gefahren informieren.
- Der Betreiber muss dem Personal die erforderliche Schutzausrüstung bereitstellen und das Tragen der erforderlichen Schutzausrüstung verbindlich anweisen.

2.4. PERSONALANFORDERUNGEN

2.4.1. QUALIFIKATIONEN

Die verschiedenen in dieser Anleitung beschriebenen Aufgaben stellen unterschiedliche Anforderungen an die Qualifikation der Personen, die mit diesen Aufgaben betraut sind.



WARNUNG!

- **Gefahr bei unzureichender Qualifikation von Personen!**
- Unzureichend qualifizierte Personen können die Risiken beim Umgang mit dem Gerät nicht einschätzen und setzen sich und andere der Gefahr schwerer oder tödlicher Verletzungen aus.
- Alle Arbeiten nur von dafür qualifizierten Personen durchführen lassen!
- Unzureichend qualifizierte Personen aus dem Arbeitsbereich fernhalten!

Für alle Arbeiten sind nur Personen zugelassen, von denen zu erwarten ist, dass sie diese Arbeiten zuverlässig ausführen. Personen, deren Reaktionsfähigkeit beeinflusst ist, z. B. durch Drogen, Alkohol oder Medikamente, sind nicht zugelassen.

In dieser Anleitung werden die im Folgenden aufgeführten Qualifikationen der Personen für die verschiedenen Aufgaben benannt:

GASTECHNIK-INGENIEUR

Besitzt Fachausbildung, Fähigkeiten, Erfahrung und Wissen bezüglich relevanter Normen und Richtlinien um Arbeiten an Druckregelsystemen vornehmen zu können und potentielle Risiken zu erkennen. Gastech-
nik-Ingenieure sind speziell geschult im Hinblick auf die jeweilige Produktionsstätte und deren spezifische Standards und Richtlinien.

TECHNIKER

Besitzt Fachausbildung, Fähigkeiten, und Erfahrung bezüglich relevanter Normen und Richtlinien um Ar-
beiten an Druckregelsystemen vornehmen zu können und potentielle Risiken zu erkennen.

2.4.2. UNBEFUGTE



WARNUNG!

- **Lebensgefahr für Unbefugte durch Gefahren im Gefahren- und Arbeitsbereich!**
- Unbefugte Personen, die die hier beschriebenen Anforderungen nicht erfüllen, kennen die Gefahren im Arbeitsbereich nicht. Daher besteht für Unbefugte die Gefahr schwerer Verletzungen bis hin zum Tod.
- Unbefugte Personen vom Gefahren- und Arbeitsbereich fernhalten!
- Im Zweifel Personen ansprechen und sie aus dem Gefahren- und Arbeitsbereich weisen!
- Die Arbeiten unterbrechen, solange sich Unbefugte im Gefahren- und Arbeitsbereich aufhalten!

2.4.3. UNTERWEISUNG

Der Betreiber muss das Personal regelmäßig unterweisen. Zur besseren Nachverfolgung muss ein Unterwei-
sungsprotokoll mit folgenden Mindestinhalten erstellt werden:

- Datum der Unterweisung
- Name des Unterwiesenen
- Inhalte der Unterweisung
- Name des Unterweisenden
- Unterschriften des Unterwiesenen und des Unterweisenden

2.5. PERSÖNLICHE SCHUTZAUSRÜSTUNG

Persönliche Schutzausrüstung dient dazu, Personen vor Beeinträchtigungen der Sicherheit und Gesundheit bei der Arbeit zu schützen.

Das Personal muss während der verschiedenen Arbeiten an und mit dem Gerät persönliche Schutzausrüs-
tung tragen, auf die in den einzelnen Abschnitten dieser Anleitung gesondert hingewiesen wird.

ATEMSCHUTZGERÄT, UMLUFT UNABHÄNGIG



Schutz vor schädlichen Gasen, Dämpfen, Stäuben und ähnlichen Stoffen.
Atemschutzgeräte wie z.B. Pressluftatmer müssen eingesetzt werden, wenn ein Sauerstoffgehalt von über 17% in der Umgebungsluft nicht garantiert werden kann und/oder ein Überschreiten der zulässigen Grenzwerte schädlicher Stoffe in der Umgebungsluft nicht ausgeschlossen werden kann.
Umluft unabhängige Atemschutzgeräte dürfen nur von speziell geschultem Per-
sonal getragen werden.

DE



ATEMSCHUTZGERÄT, UMLUFT ABHÄNGIG

Schutz vor schädlichen Gasen, Dämpfen, Stäuben und ähnlichen Stoffen. Umluft abhängige Atemschutzgeräte müssen eingesetzt werden, wenn ein Überschreiten der zulässigen Grenzwerte schädlicher Stoffe in der Umgebungsluft nicht ausgeschlossen werden kann. Umluft abhängige Atemschutzgeräte dürfen nur bei einem garantierten Sauerstoffgehalt in der Atemluft von über 17% eingesetzt werden.



SCHUTZBRILLE

Schutz vor umherfliegenden Teilen und Tropfen.



HANDSCHUHE, CHEMISCH RESISTENT

Schutz der Hände vor aggressiven Substanzen. Es ist auf Dichtigkeit der Handschuhe acht zu geben. Nach Gebrauch Handschuhe fachgerecht entsorgen.



SCHUTZHANDSCHUHE

Schutz der Hände vor mechanischen Einflüssen und heißen Oberflächen.



GEHÖRSCHUTZ TRAGEN

Schützt das Gehört vor zu lauten Geräuschen und beugt Schalltraumata vor.

2.6. VERHALTEN BEI FEUERAUSBRUCH UND BEI UNFÄLLEN

VORBEUGENDE MASSNAHMEN

- Stets auf Feuer und Unfälle vorbereitet sein!
- Erste-Hilfe-Einrichtungen (Verbandkasten, Decken usw.) und Feuerlöscheinrichtungen funktionstüchtig und griffbereit aufbewahren.
- Personal mit Unfallmelde-, Erste-Hilfe- und Rettungseinrichtungen vertraut machen.
- Zufahrtswege für Rettungsfahrzeuge freihalten.

MASSNAHMEN BEI FEUERAUSBRUCH UND UNFÄLLEN

- Wenn keine Gefahr für die eigene Gesundheit besteht, Personen aus der Gefahrenzone bergen.
- Falls erforderlich Erste-Hilfe-Maßnahmen einleiten.
- Feuerwehr und/oder Rettungsdienst alarmieren.
- Bei Feuersausbruch: Wenn keine Gefahr für die eigene Gesundheit besteht, Feuer mit Feuerlöscheinrichtungen bekämpfen und Feuerbekämpfung bis zum Eintreffen der Feuerwehr fortsetzen.
- Verantwortlichen am Einsatzort informieren.
- Zufahrtswege für Rettungsfahrzeuge freimachen.
- Rettungsfahrzeuge einweisen.

2.7. UMWELTSCHUTZ



HINWEIS!

- **Gefahr für die Umwelt durch falsche Handhabung von umweltgefährdenden Stoffen!**
- Bei falschem Umgang mit umweltgefährdenden Stoffen, insbesondere bei falscher Entsorgung, können erhebliche Schäden für die Umwelt entstehen.
- Die unten genannten Hinweise zum Umgang mit umweltgefährdenden Stoffen und deren Entsorgung stets beachten!
- Wenn umweltgefährdende Stoffe versehentlich in die Umwelt gelangen, sofort geeignete Maßnahmen ergreifen. Im Zweifel die zuständige Kommunalbehörde über den Schaden informieren und geeignete zu ergreifende Maßnahmen erfragen!

2.8. BESCHILDERUNG



WARNUNG!

- **Gefahr bei unleserlicher Beschilderung!**
- Im Laufe der Zeit können Aufkleber und Schilder verschmutzen oder auf andere Weise unkenntlich werden, so dass Gefahren nicht erkannt und notwendige Bedienungshinweise nicht befolgt werden können. Dadurch besteht Verletzungsgefahr.
- Alle Sicherheits-, Warn- und Bedienungshinweise in stets gut lesbarem Zustand halten.
- Beschädigte Schilder oder Aufkleber sofort erneuern.

2.8.1. GEBOTZEICHEN

- keine Zeichen

2.8.2. VERBOTZEICHEN

- keine Zeichen

2.8.3. WARNZEICHEN



WARNUNG VOR GASFLASCHEN



WRNUNG VOR
EXPLOSIONSFÄHIGER
ATMOSPHÄRE

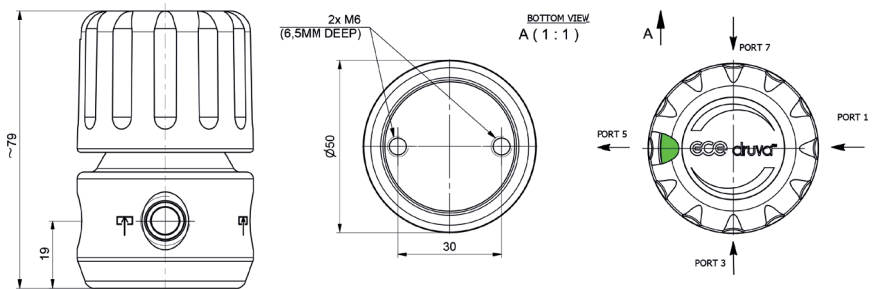


WARNUNG VOR GIFTIGEN UND/
ODER KORROSIVEN STOFFEN

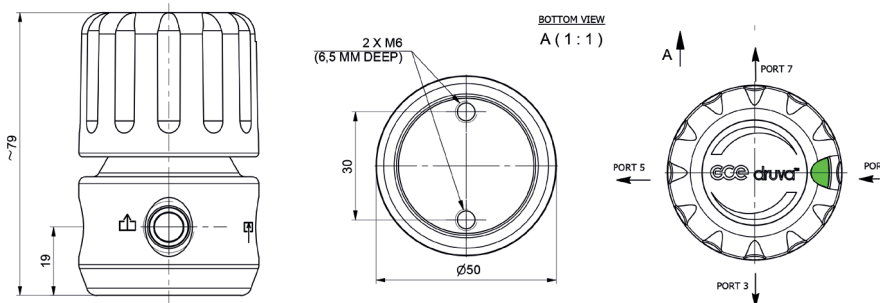
DE

3. TECHNISCHE DATEN

3.1. MASSBLATT – VPLDSMIR / VSLDSMIR



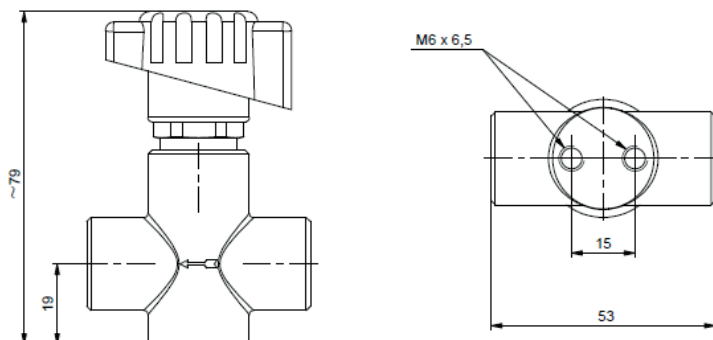
3.2. MASSBLATT – VPLDSMFR / VSLDSMFR



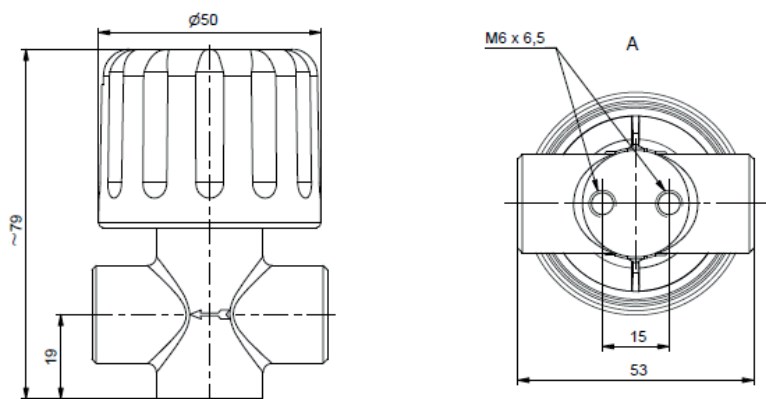
3.3. MASSBLATT – VPLDSMAR / VSLDSMAR

3.3.1. MASSBLATT – VPLDSMAREX/ VSLDSMAREX

DE



3.3.2. MASSBLATT - VPLDSMARGX/ VSLDSMARGX



3.4. ALLGEMEINE ANGABEN

Angabe	Wert	Einheit
Gewicht	0,66 (VPLDSMFR, VPLDSMIR)	kg
	0,63 (VSLDSMFR, VSLDSMIR)	kg
	0,3 (VSLDSMAR, VPLDSMAR)	kg
Durchmesser	50, 53 für VPLDSMAREX/ VSLDSMAREX	mm
Höhe	79	mm

DE

3.5. ANSCHLUSSWERTE

Angabe	Wert	Einheit
Eingang	¼"	NPT
	3, 6, 8, 10, 12	fitting mm
	1/8", ¼", 3/8", ½"	fitting inch
Ausgang	¼"	NPT
	3, 6, 8, 10, 12	fitting mm
	1/8", ¼", 3/8", ½"	fitting inch

3.6. LEISTUNGSWERTE

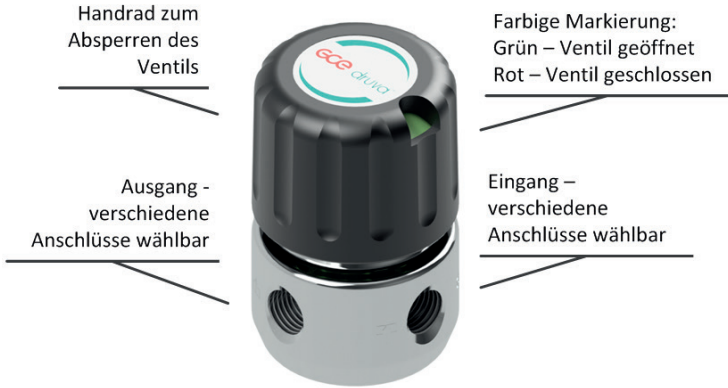
Angabe	Wert	Einheit
Nominaler Durchfluss	20	m ³ /h
Druck (max.)	300 , 50 für VPLDSMAREX/ VSLDSMAREX	bar

3.7. BETRIEBSBEDINGUNGEN UMGEBUNG

Angabe	Wert	Einheit
Temperaturbereich	-20 bis +60	°C
Relative Luftfeuchte (max.)	98	%

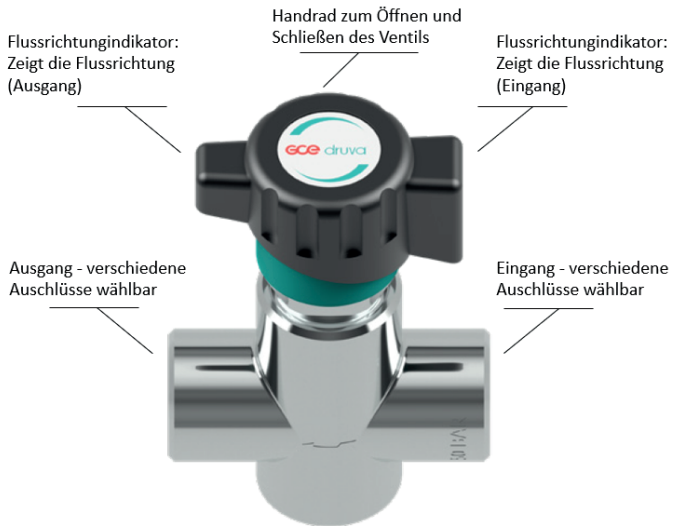
4. AUFBAU UND FUNKTION

4.1. AUFBAU VPLDSMIR, VPLDSMFR, VSLDSMIR, VSLDSMFR



DE

4.2. AUFBAU VPLDSMIR, VPLDSMFR, VSLDSMIR, VSLDSMFR



4.3. KURZBESCHREIBUNG

Die Bedienung des Absperrventils erfolgt manuell durch das Handrad (90°-Drehung, Klick). Das Absperrventil ist geöffnet, wenn die farbliche Markierung grün ist. Es ist geschlossen bei roter Markierung.

5. TRANSPORT, VERPACKUNG UND LAGERUNG



TIPPS UND EMPFEHLUNGEN!

- Die Installation und Erstinbetriebnahme erfolgt idealerweise durch Mitarbeiter des Herstellers oder durch von ihm autorisierte Personen.
- Dennoch kann es vorkommen, dass im Rahmen der Installation und der weiteren Nutzung Bediener oder Wartungspersonal des Betreibers mit der Handhabung von Packstücken betraut werden. Dabei die im Folgenden aufgeführten Hinweise unbedingt beachten.

5.1. SICHERHEITSHINWEISE FÜR DEN TRANSPORT

DE



HINWEIS!

- **Sachschäden durch unsachgemäßen Transport!**
- Bei unsachgemäßem Transport können Transportstücke fallen oder umstürzen. Dadurch können Sachschäden in erheblicher Höhe entstehen.
- Beim Abladen der Transportstücke bei Anlieferung sowie bei innerbetrieblichem Transport vorsichtig vorgehen und die Symbole und Hinweise auf der Verpackung beachten.
- Nur die vorgesehenen Anschlagpunkte verwenden.
- Verpackungen erst kurz vor der Montage entfernen.

5.2. TRANSPORT INSPEKTION

Die Lieferung bei Erhalt unverzüglich auf Vollständigkeit und Transportschäden prüfen.

BEI ÄUSSERLICH ERKENNBAREM TRANSPORTSCHADEN WIE FOLGT VORGEHEN:

- Lieferung nicht oder nur unter Vorbehalt entgegennehmen.
- Schadensumfang auf den Transportunterlagen oder auf dem Lieferschein des Transporteurs vermerken.
- Reklamation einleiten.



TIPPS UND EMPFEHLUNGEN!

- Jeden Mangel reklamieren, sobald er erkannt ist. Schadenersatzansprüche können nur innerhalb des Gewährleistungszeitraums geltend gemacht werden.

5.3. VERPACKUNG

Die einzelnen Packstücke sind entsprechend den zu erwartenden Transportbedingungen verpackt. Für die Verpackung wurden ausschließlich umweltfreundliche Materialien verwendet.

Die Verpackung soll die einzelnen Bauteile bis zur Montage vor Transportschäden, Korrosion und anderen Beschädigungen schützen. Daher die Verpackung nicht zerstören und erst kurz vor der Montage entfernen.



HINWEIS!

- **Gefahr für die Umwelt durch falsche Entsorgung!**
- Verpackungsmaterialien sind wertvolle Rohstoffe und können in vielen Fällen weiter genutzt oder sinnvoll aufbereitet und wiederverwertet werden. Durch falsche Entsorgung von Verpackungsmaterialien können Gefahren für die Umwelt entstehen.
- Verpackungsmaterialien umweltgerecht entsorgen.
- Die örtlich geltenden Entsorgungsvorschriften beachten. Gegebenenfalls einen Fachbetrieb mit der Entsorgung beauftragen.

5.4. LAGERUNG

PACKSTÜCKE UNTER FOLGENDEN BEDINGUNGEN LAGERN:

- Nicht im Freien aufbewahren.
- Trocken und staubfrei lagern.
- Keinen aggressiven Medien aussetzen.
- Vor Sonneneinstrahlung schützen.
- Mechanische Erschütterungen vermeiden.
- Lagertemperatur: 15 bis 35 °C.
- Relative Luftfeuchtigkeit: max. 60 %.

- Bei Lagerung länger als 3 Monate regelmäßig den allgemeinen Zustand aller Teile und der Verpackung kontrollieren. Falls erforderlich, die Konservierung auffrischen oder erneuern.



TIPPS UND EMPFEHLUNGEN!

- Unter Umständen befinden sich auf den Packstücken Hinweise zur Lagerung, die über die hier genannten Anforderungen hinausgehen. Diese entsprechend einhalten.

6. INSTALLATION UND ERSTINBETRIEBNAHME

DE

6.1. SICHERHEITSHINWEISE FÜR DIE INSTALLATION UND ERSTINBETRIEBNAHME

PERSONAL

Die Installation und Erstinbetriebnahme darf nur von qualifiziertem Personal durchgeführt werden.

6.2. VORBEREITUNGEN

ENTPACKEN

- Die Komponenten müssen vorsichtig und umsichtig entpackt werden.
- Zusätzliche Verpackungsmaterialien ebenfalls entfernen.
- Alle Komponenten auf etwaige Transportschäden hin untersuchen

ENTLASTEN

- Gasdruck in eventuell bestehenden Anlagen entlasten, ggf. mit Inertgas spülen
- Rohrleitung in eventuell bestehenden Anlagen mit Spezialwerkzeug trennen, dabei Späne vermeiden
- Auf einwandfreien Zustand und Reinheit der Anschlussteile achten

6.3. INSTALLATION

Das Absperrventil wird üblicherweise mit Klemmringverschraubungen montiert. Zuerst werden die Verschlusskappen von den Anschlüssen entfernt. Die Montage erfolgt durch das vollständige Einfügen der Rohrleitung in die Klemmringverschraubung. Dann die Überwurfmutter mit der Hand aufschrauben und mit einem Gabelschlüssel (1 ¼ Umdrehungen) fest anziehen.

6.4. VORAUSSETZUNG ZUR ERSTINBETRIEBNAHME

- Die Prüfprotokolle der Leitungssysteme hinsichtlich der Dichtheit, wenn gefordert auch Feuchte und Partikel, liegen vor.
- In der Prozessgasleitung ist nur Standardgas. (siehe Punkt 1.2)
- Die Inbetriebnahme darf nur durch eingewiesenes Fachpersonal erfolgen.
- Es ist den Vorschriften entsprechende Schutzkleidung zu tragen.
- Es ist ein funkenfreies Spezialwerkzeug zu verwenden und vor der Inbetriebnahme bereitzulegen.
- Überprüfen Sie vor Erstinbetriebnahme anhand des Typenschildes, ob das vorliegende Absperrventil für den vorgesehenen Verwendungszweck geeignet ist (Gas, Druck, Werkstoff, etc.)

6.5. ERSTINBETRIEBNAHME

- Alle Voraussetzungen sind gemäß Punkt 6.4 erfüllt
- Absperrventil ist geschlossen, rote Markierung ist sichtbar



WARNUNG!

- Es ist unbedingt darauf zu achten, dass das Absperrventil nicht über den zulässigen Betriebsdruck hinaus mit Druck beaufschlagt wird.

6.5.1. FÜLLEN DER PROZESSGASLEITUNG MIT PROZESSGAS

Absperrventil langsam und vorsichtig öffnen bis grüne Markierung sichtbar ist.

Das Absperrventil ist nun in Betrieb. Es wird empfohlen das Absperrventil regelmäßig täglich zu kontrollieren und die Dichtheit zu überprüfen.

6.5.2. AUSSERBETRIEBNAHME DER ANLAGE

Absperrventil schließen bis rote Markierung sichtbar ist.

Das Absperrventil ist nun außer Betrieb. Es können jetzt Reparatur- und Wartungsarbeiten durchgeführt werden.

6.6. PRÜFUNGEN

- Nach der Druckbeaufschlagung die Funktion des Absperrventils überprüfen

7. BETRIEB

Gemäß Kapitel 2.1 ist der Betrieb Absperrventils für Standardgase definiert.



VORSICHT!

- Handventile müssen immer langsam und vorsichtig geöffnet werden, um Druckstöße im System zu vermeiden und andere Komponenten zu schützen.

DE

8. WARTUNG

8.1. SICHERHEITSHINWEISE FÜR DIE WARTUNG



HINWEIS!

Wartungsarbeiten dürfen nur von qualifiziertem, geschultem und autorisiertem Personal durchgeführt werden. (siehe Kapitel 2.4).

8.2. WARTUNGSPLAN

In den nachstehenden Abschnitten sind die Wartungsarbeiten beschrieben, die für einen optimalen und störungsfreien Betrieb des Geräts erforderlich sind. Sofern bei regelmäßigen Kontrollen eine erhöhte Abnutzung zu erkennen ist, die erforderlichen Wartungsintervalle entsprechend den tatsächlichen Verschleißerscheinungen verkürzen.



HINWEIS!

- Bei jeglichen Fragen bezüglich Wartungsarbeiten und Wartungsintervallen kontaktieren Sie den Kundenservice. (siehe Kontaktdaten unter Punkt 1.8).

Intervall	Wartungsarbeit	Personal
Wöchentlich	Alle Komponenten visuell überprüfen	Befähigte Person (TRBS 1203)
Einmal jährlich	Betriebsprüfung auf Funktion und Dichtigkeit, Prüfung aller sicherheitsrelevanten Teile	Befähigte Person (TRBS 1203)
Alle 10 Jahre	Generalüberholung und Austausch aller Verschleißteile	Befähigte Person (TRBS 1203)

8.3. WARTUNGSARBEITEN

8.3.1. REINIGUNG



HINWEIS!

- Reinigungsmittel müssen mit den Materialien, mit denen sie in Berührung kommen, verträglich sein.

8.3.2. VORAUSSETZUNG ZUR WARTUNG

VOR BEGINN DER WARTUNG IST ZU PRÜFEN, DASS

- Die Gasversorgung unterbrochen und sichergestellt ist.
- Die Entspannungsstation drucklos ist.
- Der Druckregler entspannt ist.
- Das Ventil geschlossen ist.
- Sich kein Prozessgas mehr im System befindet.
- Das System mit einem Inertgas freigespült wurde.

8.3.3. NOTWENDIGE WARTUNGSLEISTUNG

- Prüfung der Anzeigegenauigkeit des Anzeigewertes bei Druckanzeigen.
- Entspannungsstation, Druckregler, Ventile und Druckanzeigen: Zustand auf Funktion, Zustand und Kennzeichnung prüfen.
- Prüfung der Kennzeichnung.
- Prüfung auf Korrosion.
- Prüfung der Funktion.
- Dichtheitsprüfung mit 1-fachem Betriebsdruck über 12 Stunden ausführen.
- Verschlissene und defekte Bauteile sind sofort auszutauschen, mit diesen Arbeiten ist in jedem Fall ein autorisiertes Fachunternehmen zu beauftragen.
- Das Design der Ventile erfolgte gemäß ISO 10297. Darin enthalten ist ein Typtest, bei dem das Ventil einem Lebensdauertest von bis zu 2000 Zyklen unterzogen wurde. Nach 2000 Zyklen medienberührte Innenteile austauschen, mit diesen Arbeiten ist in jedem Fall ein autorisiertes Fachunternehmen zu beauftragen.
- Sollten Undichtigkeiten oder übermäßige Korrosion an Entspannungsstationen/ Druckregler oder Ventil festgestellt werden, so sind diese komplett zwischen der nächstmöglichen lösbaren Verbindung ebenfalls durch ein autorisiertes Fachunternehmen auszutauschen.
- Nach dem Wechsel von Komponenten oder Rohrleitungsbaugruppen sind erneut Drucktest auszuführen und zu protokollieren.

8.4. MASSNAHMEN NACH ERFOLGTER WARTUNG

NACH BEENDIGUNG DER WARTUNGSARBEITEN UND VOR NEUINBETRIEBNAHME DER ENTSPANNUNGSSTATION, DES DRUCKREGLER ODER DES VENTILS DIE FOLGENDEN SCHRITTE DURCHFÜHREN:

1. Sicherstellen, dass alle verwendeten Werkzeuge, Materialien und sonstige Ausrüstungen aus dem Arbeitsbereich entfernt wurden.
2. Arbeitsbereich säubern und eventuell ausgetretene Stoffe wie z. B. Flüssigkeiten, Verarbeitungsmaterial oder Ähnliches entfernen.
3. Sicherstellen, dass alle Sicherheitseinrichtungen des Systems einwandfrei funktionieren.

9. STÖRUNGEN

Im folgenden Kapitel sind mögliche Ursachen für Störungen und die Arbeiten zu ihrer Beseitigung beschrieben. Bei vermehrt auftretenden Störungen müssen die Wartungsintervalle entsprechend der tatsächlichen Belastung verkürzt werden. Bei Störungen, die durch die nachfolgenden Hinweise nicht zu beheben sind, den Hersteller kontaktieren, siehe Kontaktdaten im Kap. 1.8.

9.1. SICHERHEITSHINWEISE FÜR DIE STÖRUNGSBEHEBUNG

Bei Störungen grundsätzlich die Gasversorgung unterbrechen, den Druckregler entspannen und Ventile schließen. Keinesfalls Wartungsarbeiten an Bauteilen unter Druck durchführen.

VERHALTEN BEI STÖRUNGEN:

1. Gasversorgung unterbrechen und sicherstellen.
2. Druckregler entspannen, Ventile schließen.
3. Nur qualifiziertes Personal darf Störungen beseitigen.
4. Ausgangszustand des Geräts wiederherstellen.

Beschreibung	Ursache	Lösung	Ventile	Flaschen- druckregler	Leitungs- druckregler	Entspannungs- stationen
Kein Durchfluss (Eingangsmanometer zeigt Druck an, Ausgangsmanometer nicht)	Druckregler geschlossen	Druckregler langsam öffnen Spülventil schließen		☑	☑	☑

Beschreibung	Ursache	Lösung	Ventile	Flaschen- druckregler	Leitungs- druckregler	Entspannungs- stationen
Kein Durchfluss (beide Manometer zeigen Null)	Flaschenventil geschlossen Brauchgasventil geschlossen Druckregler geschlossen Wendel/Schlauch nicht angeschlossen	Inbetriebnahme gemäß Punkt 6. Installation und Erstinbetriebnahme		<input checked="" type="checkbox"/>	<input checked="" type="checkbox"/>	<input checked="" type="checkbox"/>
Kein Durchfluss	Druckregler geschlossen	Druckregler langsam öffnen	<input checked="" type="checkbox"/>			
Hinterdruckanstieg & Abblaseventil öffnet	Leckage im Druckreglersitz	Reparatur durch Hersteller		<input checked="" type="checkbox"/>	<input checked="" type="checkbox"/>	<input checked="" type="checkbox"/>
Leichter Hinterdruckanstieg & Abblaseventil öffnet nicht	Vordruckabfall	Kein Fehler, normaler Betriebszustand		<input checked="" type="checkbox"/>	<input checked="" type="checkbox"/>	<input checked="" type="checkbox"/>
Leichter Hinterdruckanstieg	Unterschied zwischen Fließdruck (mit Durchfluss) und Staudruck (kein Durchfluss)	Kein Fehler, normaler Betriebszustand		<input checked="" type="checkbox"/>	<input checked="" type="checkbox"/>	<input checked="" type="checkbox"/>
Leichter Hinterdruckabfall	Unterschied zwischen Staudruck (kein Durchfluss) und Fließdruck (mit Durchfluss)	Kein Fehler, normaler Betriebszustand		<input checked="" type="checkbox"/>	<input checked="" type="checkbox"/>	<input checked="" type="checkbox"/>
Starker Hinterdruckabfall	Erforderlichen Durchfluss für Druckregler zu groß	Auswahl eines neuen Druckreglers für geforderten Druck & Durchfluss		<input checked="" type="checkbox"/>	<input checked="" type="checkbox"/>	<input checked="" type="checkbox"/>
Starker Hinterdruckabfall	Undichte Prozessgasleitung	Prozessgasleitung überprüfen		<input checked="" type="checkbox"/>	<input checked="" type="checkbox"/>	<input checked="" type="checkbox"/>

Beschreibung	Ursache	Lösung	Ventile	Flaschen- druckregler	Leitungs- druckregler	Entspannungs- stationen
Ausgangs- druck zu hoch	Falsche Regler Ein- stellung	Druckregler Einstellung anpassen, nachregeln, Wartung		<input checked="" type="checkbox"/>	<input checked="" type="checkbox"/>	<input checked="" type="checkbox"/>
Hinterdruck steigt sofort bis Anschlag an oder Hinterdruck steigt langsam über den eingestellten Wert hinaus an & Abblaseven- til bläst ab	Verschmut- zung oder Beschä- digung des Sitzes „Steiger“	Reparatur durch Herstel- ler		<input checked="" type="checkbox"/>	<input checked="" type="checkbox"/>	<input checked="" type="checkbox"/>
Geräusche während des Betriebes	Erforderli- cher Durch- fluss für Druckregler zu hoch	Auswahl eines neuen Druck- reglers für ge- forderten Druck & Durchfluss		<input checked="" type="checkbox"/>	<input checked="" type="checkbox"/>	<input checked="" type="checkbox"/>
Keine Veränderung der Ventilsteu- erung trotz drehen des Handrades	Handrad defekt durch zu hohes Drehmo- ment, Spin- del defekt, Gewinde defekt	Reparatur durch Herstel- ler	<input checked="" type="checkbox"/>	<input checked="" type="checkbox"/>	<input checked="" type="checkbox"/>	<input checked="" type="checkbox"/>
Feuchtigkeit auf Druck- regler (KEIN Tau, Regen oder Schnee)	Druckregler entzieht der Umwelt En- ergie durch Gasentspan- nung	Kein Fehler Normaler Be- triebszustand		<input checked="" type="checkbox"/>	<input checked="" type="checkbox"/>	<input checked="" type="checkbox"/>
Eisbildung auf Druckregler (KEIN Tau, Regen oder Schnee)	Druckregler entzieht der Umwelt En- ergie durch Gasentspan- nung, limitierte Lieferlei- stung der Druckgas- behälter z. Bsp. bei N2O, CO2	Kein Fehler Normaler Be- triebszustand ACHTUNG: auf Funktio- nalität der Kon- taktmanom- eter achten, Anzahl der Druckgas- behälter erhöhen		<input checked="" type="checkbox"/>	<input checked="" type="checkbox"/>	<input checked="" type="checkbox"/>

Diese Tabelle erhebt keinen Anspruch auf Vollständigkeit. Bei Fragen und Unklarheiten kontaktieren Sie bitte den Hersteller. Kontaktdaten unter Kapitel 1.8.

10. DEMONTAGE UND ENTSORGUNG

Nachdem das Gebrauchsende des Geräts erreicht ist, muss das Gerät demontiert und einer umweltgerechten Entsorgung zugeführt werden.

10.1. SICHERHEITSHINWEISE FÜR DIE DEMONTAGE UND ENTSORGUNG



WARNUNG!

- **Verletzungsgefahr bei unsachgemäßer Demontage!**
- Gespeicherte Restenergien, kantige Bauteile, Spitzen und Ecken am und im Gerät oder an den benötigten Werkzeugen können Verletzungen verursachen.
- Vor Beginn der Arbeiten für ausreichenden Platz sorgen.
- Mit offenen scharfkantigen Bauteilen vorsichtig umgehen.
- Auf Ordnung und Sauberkeit am Arbeitsplatz achten!
- Lose aufeinander- oder umherliegende Bauteile und Werkzeuge sind Unfallquellen.
- Bauteile fachgerecht demontieren. Teilweise hohes Eigengewicht der Bauteile beachten. Falls erforderlich, Hebezeuge einsetzen.
- Bauteile sichern, damit sie nicht herabfallen oder umstürzen.
- Bei Unklarheiten den Hersteller hinzuziehen.

DE

10.2. DEMONTAGE

VOR BEGINN DER DEMONTAGE

Absperrventil durch Drehen des Handrades schließen bis rote Markierung sichtbar ist.

Sicherstellen, dass am Absperrventil kein Druck mehr anliegt.

System entspannen und wenn nötig mit einem Inert Gas spülen.

Betriebs- und Hilfsstoffe sowie restliche Verarbeitungsmaterialien entfernen und umweltgerecht entsorgen.

Anschließend Baugruppen und Bauteile fachgerecht reinigen und unter Beachtung geltender örtlicher Arbeitsschutz- und Umweltschutzvorschriften zerlegen.



WARNUNG!

- **System nicht öffnen, wenn sich noch giftiges und/ oder korrosives Gas darin befindet!**

10.3. ENTSORGUNG

Sofern keine Rücknahme- oder Entsorgungsvereinbarung getroffen wurde, zerlegte Bestandteile der Wiederverwertung zuführen:

Metalle verschrotten.

Kunststoffelemente zum Recycling geben.

Übrige Komponenten nach Materialbeschaffenheit sortiert entsorgen.

Gemäß dem Artikel 33 der REACH-Verordnung verpflichtet sich die Gesellschaft GCE, s.r.o. als verantwortungsbewusster Hersteller, alle Kunden darüber zu informieren, wenn die Materialien 0,1% oder mehr der auf der Liste aufgeführten besonders besorgniserregenden Stoffe (SVHC) enthalten.

Die am häufigsten für Körper und andere Messingbauteile verwendeten Messinglegierungen enthalten 2-3% Blei (Pb), EG-Nr. 231-100-4, CAS-Nr. 7439-92-1. Bei normalem Gebrauch wird Blei nicht in das Gas oder in die Umwelt freigesetzt. Am Ende seiner Lebensdauer muss das Erzeugnis von einem zugelassenen Metallrecyclingunternehmen entsorgt werden, um eine wirksame Entsorgung des Materials bei minimalen Auswirkungen auf Umwelt und Gesundheit zu gewährleisten.

Bis zum heutigen Tag liegen uns keine Informationen vor, die darauf hindeuten, dass Materialien mit SVHC-Konzentrationen über 0,1% in GCE-Produkten enthalten sind.



HINWEIS!

- **Gefahr für die Umwelt durch falsche Entsorgung!**
- Durch falsche Entsorgung können Gefahren für die Umwelt entstehen.
- Elektroschrott, Elektronikkomponenten, Schmier- und andere Hilfsstoffe von zugelassenen Fachbetrieben entsorgen lassen.
- Im Zweifel Auskunft zur umweltgerechten Entsorgung bei der örtlichen Kommunalbehörde oder speziellen Entsorgungsfachbetrieben einholen.

DE

HERSTELLER:

GCE s.r.o.
Zizkova 381
583 01 Chotebor
Czech Republic

Tel : +420 569 661 111
Fax : +420 569 661 602
<http://www.gcegroup.com>
© GCE s.r.o.



Manufacturer:

GCE s.r.o.

Žižkova 381, 583 01 Chotěboř, Česká republika

<http://www.gcegroup.com>

Doc. Nr.: IFU-VXLDSM; DOI: 2024-01-19; Rev. 03; TI: A5, CB, V1